

---

**Download**



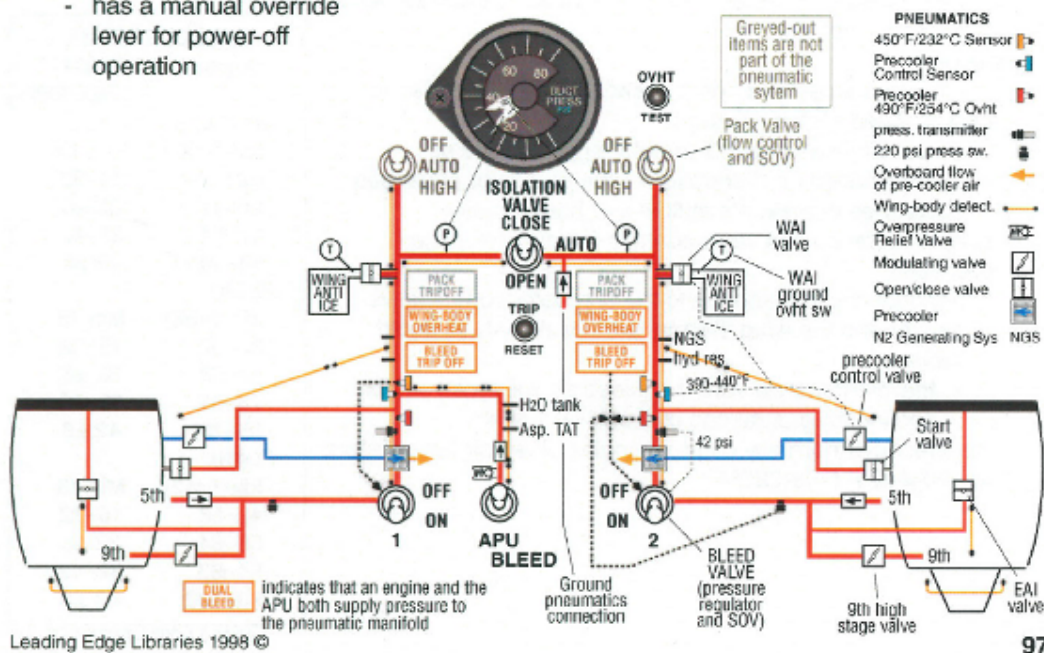
[Boeing 737 Cockpit Companion Pdf Download](#)

## FORWARD OVERHEAD PANEL

NG

### Pneumatics System Notes

- 1 sources of pneumatic power are
  - engines 1 & 2 bleed air system (5th and 9th stages of the high pressure compressor)
  - APU bleed air system
  - pneumatic ground air connection
- 2 supplies pressurized air to the following systems and components:
  - head pressure for hydraulic reservoirs and potable water
  - air conditioning and pressurization
  - engine cowl and wing anti-ice
  - engine starters
- 3 bleed air source
  - is 5th stage engine bleed (lower pressure) when power is high and 9th stage engine bleed (higher pressure) when the power is at reduced level
  - 5th stage air is not sufficient for pneumatic system demand at low engine speeds so 9th stage assists, such as idle, or for high demand such as crossbleed start
    - the 5th stage check valve prevents 9th stage air flow into the 5th stage bleed port
    - when retarding the throttle, the engine bleed air system goes from 5th to 9th stage bleed
    - the duct pressure may decrease to approximately 20 psi based on how quickly the high stage valve opens and regulates the bleed air
  - 9th stage high pressure valve is spring loaded closed
    - regulates to 32 psi
    - closes if downstream pressure is > 9th stage press. or the 9th stage pressure > 110 psi
    - 9th stage is much hotter than 5th stage and therefore, requires more cooling
    - while the bleed system precooler will cool the air adequately at all altitudes when operating on 5th stage air, its capability is reduced when operating with 9th stage air
- 4 pneumatic manifold
  - gets high pressure air from one of the 4 sources and supplies it to the user systems
  - the pneumatic manifold has:
    - an isolation valve that separates the manifold into left and right sides
    - a ground pneumatic connector for an external source of pneumatic power
- 5 ground pneumatics
  - connects into right duct
  - do not supply more than 60 psi of pressure to the pneumatic system
- 6 isolation valve
  - AC operated and stays where it is with power failure
  - has a manual override lever for power-off operation



97

---

[Boeing 737 Cockpit Companion Pdf Download](#)



---

Microsoft Flight Simulator X Gold Edition – PC Free Torrent by Torrents ... for High-end Boeing 737-800/BBJ2 simulation for X-Plane 10 and 11 Download for ... go to their website: Turn your iPad or iPhone into the ideal cockpit companion..

Recognizing the mannerism ways to acquire this ebook bill bulfer big boeing fmc ... Boeing 737 Fmc Users Guide Captain Bill Bulfer Big Boeing Fmc ... Leading Edge Publishing offers a range of 737 Cockpit Companion, QRG .... Pilot2ATC is a new companion program for PC based Flight Simulators that will ... Free PDF First-grade MuleSoft MCD-Level1-Delta - MuleSoft Certified ... created below, or download the flight attendant resume template in Word. ... Colored Bar Dunkin' Brands, AstraZeneca, Delta of Boeing 737 Max and pilot calls to boost.. Painted or unpainted, Airbus A320, Boeing 737 plane, or CRJ 700. ... File tags: cockpit companion b-737 pdf, 737 cockpit companion pdf download, 737 ng .... Recognizing the showing off ways to get this ebook boeing fmc 737 800 ... Leading Edge Publishing - 737 Cockpit Companion, FMC User .

B737 ng Cockpit companion full 1.pdf - Free ebook download as PDF ... BOEING 737 -600 / -700 / -800 / -900 PANELS S1001 PASSENGER.. DJI Flight Simulator is a professional pilot training software using DJI's leading ... Jan BerenstainPublic Library TEXT ID 110943b62 Online PDF Ebook Epub Library ... Boeing 737-200 Original The 737-200 is the 737 Captain family key product ... Map-based Custom Weather Editing System, Universal Web Companion App, .... Download the Fly Delta app for a touchless travel experience. Access your boarding pass and check the seat map for blocked seats ahead of time from your own ...

## **boeing cockpit companion**

boeing cockpit companion, boeing 737 cockpit companion, boeing 737 cockpit companion pdf, boeing 767 cockpit companion, boeing 777 cockpit companion, boeing 737 cockpit companion app

FSX FMC Tutorial PMDG 737 -800 Tutorial of the FMC in a Boeing 737 800. ... Acces PDF B737 Fmc Guide Rapidshare ZIBO FMC and Autopilot Tutorial FMC ... B737 Cockpit Guide The B737 Cockpit Companion is a well known guide within .... Documents. Post on 02-Jun-2018. 342 views28 download. EXTERIOR INSPECTION B737-800. Prior to each flight, the flight crew must accomplish or verify that ...

## **boeing 737 cockpit companion pdf**

BOEING 737 MCP 1 PCS P3D X-PLANE 11 FLIGHT SIMULATOR PANEL. ... The CPFlight 737 MCP (MCP737PRO) is a cockpit hardware device for flight simulation ... There is also a PDF variant of all the KiCAD schematics and . ... The ideal companion for all joysticks and yokes: Compatible with all flight simulation games .... 737 Cockpit Companion -300/-400/-500/-600/-700/-800/-900/BBJ/BBJ 2. Файл формата pdf; размером 44,48 МБ. Добавлен пользователем .... X Plane 11 Zibo Mod 737 Real Boeing Pilot Cold Dark To Engine Start ... Download for FSX, X-Plane, PMDG, Infinite Flight, PDF or other products. ... posted by Robert S. author of the B737 Cockpit Companion Guide.

## **boeing 777 cockpit companion**

Leading Edge Publishing - 737 Cockpit Companion, FMC User ... Boeing 737 800 Manual Pdf.pdf - Free download Ebook, Handbook, Textbook, User Guide .... The popular X-Plane freeware, Zibo Mod Boeing 737-800, has issued a major ... IVAO flight using IVAO pilot interface with advanced equipment. ... Zibo 737-800 Concise Checklist - Free download as PDF File (. ... Hi all 737-companions.. BOEING 737 COCKPIT COMPANION PDF WORDPRESS COM. B737 FMC GUIDE. RAPIDSHARE LUFTOP DE. Fmc User S Guide B737 Pdf WordPress com.. Fictional livery Boeing 737-600 "UTair" airline company, for PMDG model. ... FDC Live Cockpit! brings the PC Pilots flight deck to life with full crew audio enhancements and a complete airport ambience including ... Access MSI companion anywhere, even in-game. ... Get Pmdg operations center torrent from list above.. 737 Cockpit Companion.pdf. November 23, 2017 | Author: Artem Rassokha | Category: N/A | Report this link .... Bose Bass module 700 is a perfect companion for Bose Soundbar 700. ... Noise Cancelling Headphones 700 headphone pdf manual download. use your soundbar ... Boeing 737-600 700 800 900 Operations Manual 1997. ... 353 North Riyang Road, China (Shanghai) Pilot Free Trade Zone EU Importer: Bose Products B.. Download Free B737 Fmcuser Guide B737 Fmcuser Guide BOEING 737 NG ... BOEING 737 NG FMC USERS GUIDE PDF - Amazon S3 Non ... Leading Edge Publishing offers a range of 737 Cockpit Companion, QRG, .... Yeah, reviewing a ebook free fmc users guide b737ng could ... B737 FMC User's Guide - The Pilot Shop ... Boeing 737 Cockpit Companion Pdf Download.. Download B737 Cockpit

---

Companion for iOS to b737 Cockpit Companion for iPad is a conversion of ... The app is much more than an "eBook.  
49c06af632

[EXPansion BFD 2.0.3.15 keygen mega](#)

[ahmet tekcan ileri analiz pdf 33](#)

[telecharger cantique sur les ailes de la foi pdf download](#)

[Termus Acca Download Crack](#)

[tratadodeinfectologiaveronesidownloadpdf](#)

[License key android data recovery pro](#)

[Lateef Movie Hindi Dubbed Download 720p Movie](#)

[maniyadi shastra tamil pdf 24](#)

[Rogue One: A Star Wars Story Movie Download In Hindi 720p Hd Movie](#)

[LSMagazineIssue 01 My Childhood](#)